

Quick drilling

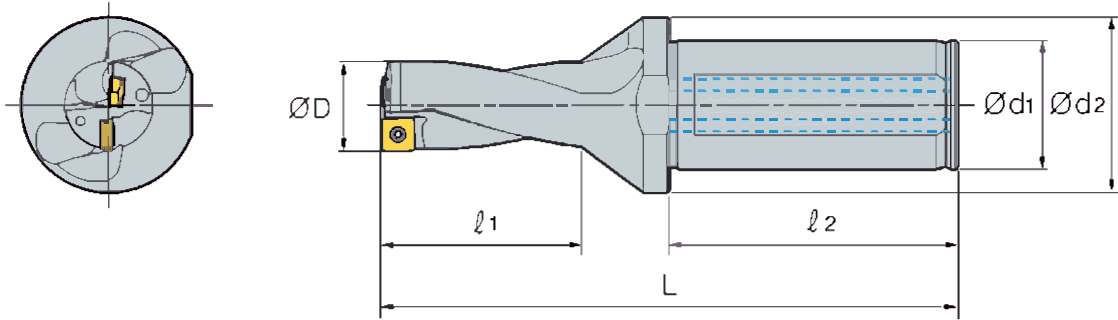


- ★ High-Efficiency Drilling, Far Outperforming Traditional Twist Drills
- ★ Stable Precision & Excellent Hole Quality
- ★ Strong Versatility, Wide Compatibility & Significant Cost Savings

Drill tolerance and hole tolerance

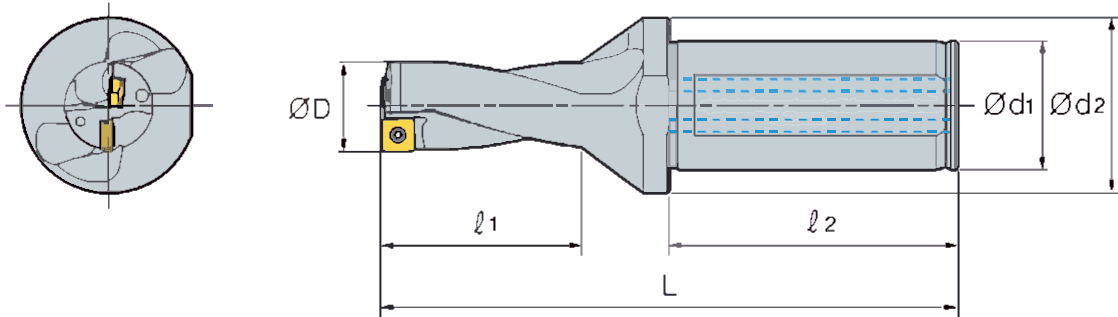
Drill dia.		Ø12~Ø29	Ø30~Ø45	Ø46~Ø60
2D~3D	Drill tolerance(ØD)	0~-0.15	0~-0.15	0~-0.15
	Hole tolerance	+0.2~-0.1	+0.25~-0.1	+0.28~-0.1
4D~5D	Drill tolerance(ØD)	0~-0.15	0~-0.15	0~-0.15
	Hole tolerance	+0.25~-0.05	+0.3~-0.05	+0.33~-0.05

Quick drill-2D



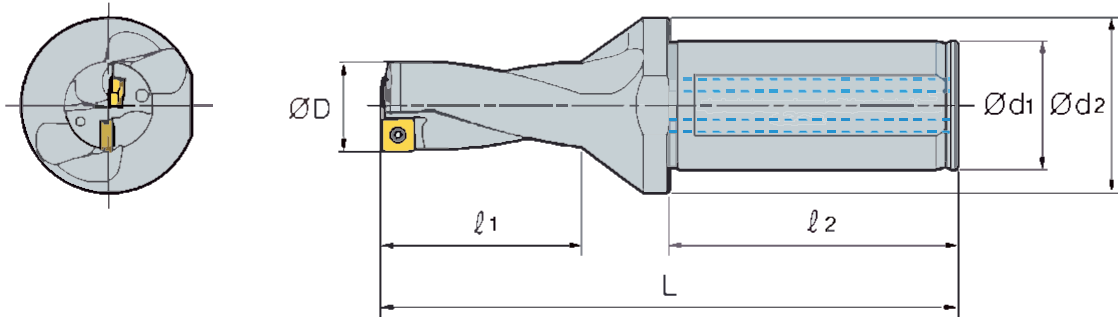
Designation	ØD	Ød1	Ød2	ℓ1	ℓ2	L	Insert		Screw	Wrench
SO-C20-SD12.0-2D-04	12.0	20	25	27	50	91	SP*T040204-**	XO*T040204-**	SC0204	T06P
SO-C20-SD12.5-2D-04	12.5	20	25	27	50	91	SP*T040204-**	XO*T040204-**	SC0204	T06P
SO-C20-SD13.0-2D-04	13.0	20	25	29	50	93	SP*T040204-**	XO*T040204-**	SC0204	T06P
SO-C20-SD13.5-2D-04	13.5	20	25	29	50	93	SP*T040204-**	XO*T040204-**	SC0204	T06P
SO-C20-SD14.0-2D-04	14.0	20	25	31	50	96	SP*T040204-**	XO*T040204-**	SC0204	T06P
SO-C20-SD14.5-2D-05	14.5	20	25	31	50	96	SP*T050204-**	XO*T050204-**	SC0204	T06P
SO-C20-SD15.0-2D-05	15.0	20	25	33	50	99	SP*T050204-**	XO*T050204-**	SC0204	T06P
SO-C20-SD15.5-2D-05	15.5	20	25	33	50	99	SP*T050204-**	XO*T050204-**	SC0204	T06P
SO-C20-SD16.0-2D-05	16.0	20	25	35	50	101	SP*T050204-**	XO*T050204-**	SC0204	T06P
SO-C25-SD16.5-2D-06	16.5	25	34	35	56	107	SP*T060205-**	XO*T060204-**	SC02206S	T07P
SO-C25-SD17.0-2D-06	17.0	25	34	37	56	109	SP*T060205-**	XO*T060204-**	SC02206S	T07P
SO-C25-SD17.5-2D-06	17.5	25	34	37	56	109	SP*T060205-**	XO*T060204-**	SC02206S	T07P
SO-C25-SD18.0-2D-06	18.0	25	34	39	56	112	SP*T060205-**	XO*T060204-**	SC02206S	T07P
SO-C25-SD18.5-2D-06	18.5	25	34	39	56	112	SP*T060205-**	XO*T060204-**	SC02206S	T07P

Quick drill-2D



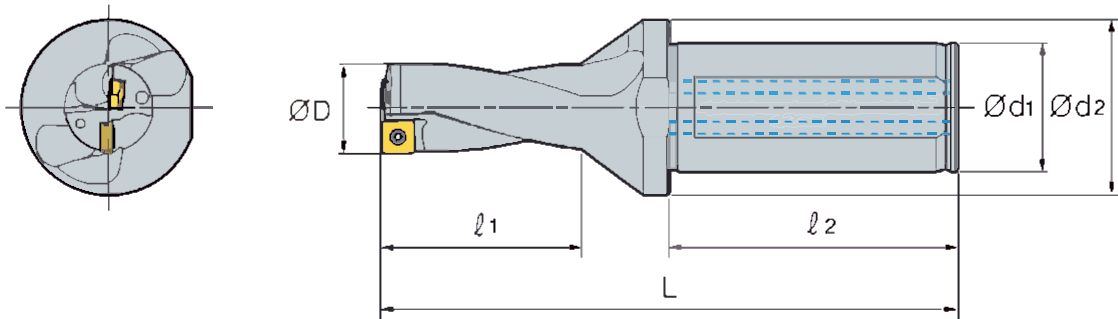
Designation	ØD	Ød1	Ød2	l1	l2	L	Insert		Screw	Wrench
SO-C25-SD19.0-2D-06	19.0	25	34	41	56	114	SP*T060205-**	XO*T060204-**	SC02206S	T07P
SO-C25-SD19.5-2D-06	19.5	25	34	41	56	114	SP*T060205-**	XO*T060204-**	SC02206S	T07P
SO-C25-SD20.0-2D-07	20.0	25	34	43	56	118	SP*T077208-**	XO*T07T205-**	SC02565	T07S
SO-C25-SD20.5-2D-07	20.5	25	34	43	56	118	SP*T077208-**	XO*T07T205-**	SC02565	T07S
SO-C25-SD21.0-2D-07	21.0	25	34	45	56	120	SP*T077208-**	XO*T07T205-**	SC02565	T07S
SO-C25-SD21.5-2D-07	21.5	25	34	45	56	120	SP*T077208-**	XO*T07T205-**	SC02565	T07S
SO-C25-SD22.0-2D-07	22.0	25	34	47	56	122	SP*T077208-**	XO*T07T205-**	SC02565	T07S
SO-C25-SD22.5-2D-07	22.5	25	34	47	56	122	SP*T077208-**	XO*T07T205-**	SC02565	T07S
SO-C25-SD23.0-2D-07	23.0	25	34	49	56	126	SP*T077208-**	XO*T07T205-**	SC02565	T07S
SO-C25-SD23.5-2D-07	23.5	25	34	49	56	126	SP*T077208-**	XO*T07T205-**	SC02565	T07S
SO-C32-SD24.0-2D-09	24.0	32	44	51	60	133	SP*T090308-**	XO*T090305-**	SC0307	T09S
SO-C32-SD24.5-2D-09	24.5	32	44	51	60	133	SP*T090308-**	XO*T090305-**	SC0307	T09S
SO-C32-SD25.0-2D-09	25.0	32	44	53	60	135	SP*T090308-**	XO*T090305-**	SC0307	T09S
SO-C32-SD25.5-2D-09	25.5	32	44	53	60	135	SP*T090308-**	XO*T090305-**	SC0307	T09S
SO-C32-SD26.0-2D-09	26.0	32	44	55	60	137	SP*T090308-**	XO*T090305-**	SC0307	T09S
SO-C32-SD26.5-2D-09	26.5	32	44	55	60	137	SP*T090308-**	XO*T090305-**	SC0307	T09S
SO-C32-SD27.0-2D-09	27.0	32	44	57	60	140	SP*T090308-**	XO*T090305-**	SC0307	T09S
SO-C32-SD27.5-2D-09	27.5	32	44	57	60	140	SP*T090308-**	XO*T090305-**	SC0307	T09S
SO-C32-SD28.0-2D-09	28.0	32	44	59	60	143	SP*T090308-**	XO*T090305-**	SC0307	T09S
SO-C32-SD28.5-2D-09	28.5	32	44	59	60	143	SP*T090308-**	XO*T090305-**	SC0307	T09S
SO-C32-SD29.0-2D-09	29.0	32	44	61	60	145	SP*T090308-**	XO*T090305-**	SC0307	T09S
SO-C32-SD29.5-2D-09	29.5	32	44	61	60	145	SP*T090308-**	XO*T090305-**	SC0307	T09S
SO-C32-SD30.0-2D-11	30.0	32	44	63	60	150	SP*T11T308-**	XO*T11T306-**	SC03508	T15S
SO-C32-SD30.5-2D-11	30.5	32	44	63	60	150	SP*T11T308-**	XO*T11T306-**	SC03508	T15S

Quick drill-2D



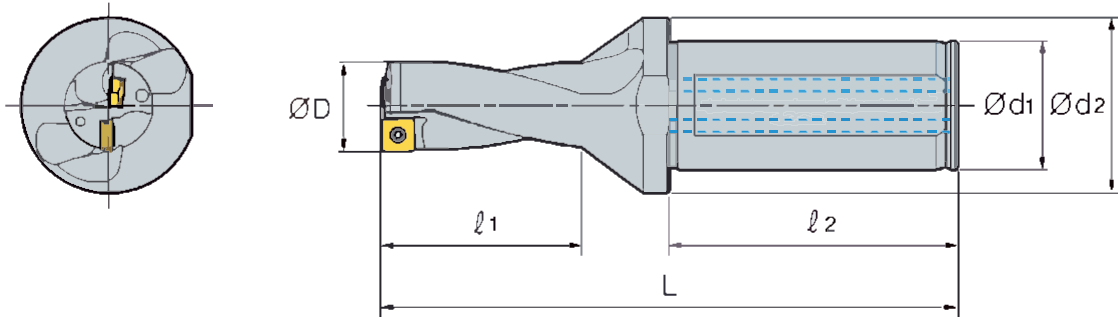
Designation	ØD	Ød1	Ød2	l1	l2	L	Insert		Screw	Wrench
SO-C32-SD31.0-2D-11	31.0	32	44	65	60	152	SP*T11T308-**	XO*T11T306-**	SC03508	T15S
SO-C32-SD31.5-2D-11	31.5	32	44	65	60	152	SP*T11T308-**	XO*T11T306-**	SC03508	T15S
SO-C32-SD32.0-2D-11	32.0	32	44	67	60	154	SP*T11T308-**	XO*T11T306-**	SC03508	T15S
SO-C32-SD32.5-2D-11	32.5	32	44	67	60	154	SP*T11T308-**	XO*T11T306-**	SC03508	T15S
SO-C32-SD33.0-2D-11	33.0	32	44	69	60	157	SP*T11T308-**	XO*T11T306-**	SC03508	T15S
SO-C32-SD33.5-2D-11	33.5	32	44	69	60	157	SP*T11T308-**	XO*T11T306-**	SC03508	T15S
SO-C32-SD34.0-2D-11	34.0	32	44	71	60	159	SP*T11T308-**	XO*T11T306-**	SC03508	T15S
SO-C32-SD34.5-2D-11	34.5	32	44	71	60	159	SP*T11T308-**	XO*T11T306-**	SC03508	T15S
SO-C32-SD35.0-2D-11	35.0	32	44	73	60	161	SP*T11T308-**	XO*T11T306-**	SC03508	T15S
SO-C32-SD35.5-2D-11	35.5	32	44	73	60	161	SP*T11T308-**	XO*T11T306-**	SC03508	T15S
SO-C40-SD36.0-2D-13	36.0	40	48	76	70	176	SP*T130410-**	XO*T130406-**	SC0410	T15S
SO-C40-SD36.5-2D-13	36.5	40	48	76	70	176	SP*T130410-**	XO*T130406-**	SC0410	T15S
SO-C40-SD37.0-2D-13	37.0	40	48	78	70	178	SP*T130410-**	XO*T130406-**	SC0410	T15S
SO-C40-SD37.5-2D-13	37.5	40	48	78	70	178	SP*T130410-**	XO*T130406-**	SC0410	T15S
SO-C40-SD38.0-2D-13	38.0	40	48	80	70	181	SP*T130410-**	XO*T130406-**	SC0410	T15S
SO-C40-SD38.5-2D-13	38.5	40	48	80	70	181	SP*T130410-**	XO*T130406-**	SC0410	T15S
SO-C40-SD39.0-2D-13	39.0	40	48	82	70	183	SP*T130410-**	XO*T130406-**	SC0410	T15S
SO-C40-SD39.5-2D-13	39.5	40	48	82	70	183	SP*T130410-**	XO*T130406-**	SC0410	T15S
SO-C40-SD40.0-2D-13	40.0	40	48	84	70	186	SP*T130410-**	XO*T130406-**	SC0410	T15S
SO-C40-SD40.5-2D-13	40.5	40	48	84	70	186	SP*T130410-**	XO*T130406-**	SC0410	T15S
SO-C40-SD41.0-2D-13	41.0	40	48	86	70	188	SP*T130410-**	XO*T130406-**	SC0410	T15S
SO-C40-SD41.5-2D-13	41.5	40	48	86	70	188	SP*T130410-**	XO*T130406-**	SC0410	T15S
SO-C40-SD42.0-2D-13	42.0	40	48	88	70	191	SP*T130410-**	XO*T130406-**	SC0410	T15S
SO-C40-SD42.5-2D-13	42.5	40	48	88	70	191	SP*T130410-**	XO*T130406-**	SC0410	T15S

Quick drill-2D



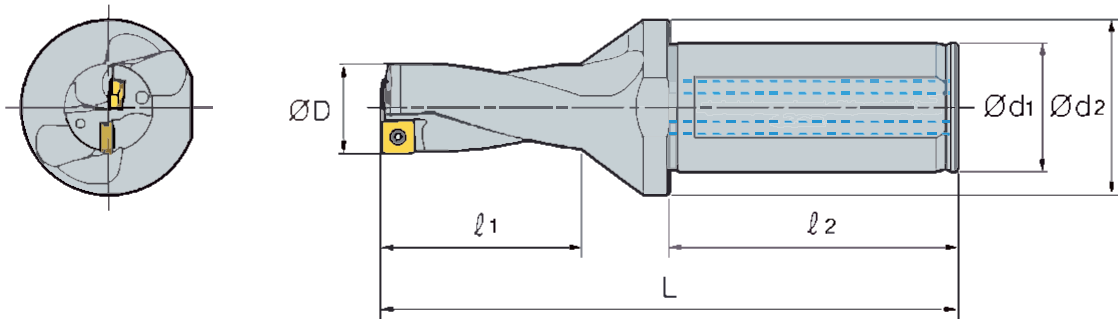
Designation	ØD	Ød1	Ød2	l1	l2	L	Insert		Screw	Wrench
SO-C40-SD43.0-2D-15	43.0	40	58	91	70	196	SP*T15M510-**-	XO*T15M508-**-	SC04511	T20S
SO-C40-SD43.5-2D-15	43.5	40	58	91	70	196	SP*T15M510-**-	XO*T15M508-**-	SC04511	T20S
SO-C40-SD44.0-2D-15	44.0	40	58	93	70	198	SP*T15M510-**-	XO*T15M508-**-	SC04511	T20S
SO-C40-SD44.5-2D-15	44.5	40	58	93	70	198	SP*T15M510-**-	XO*T15M508-**-	SC04511	T20S
SO-C40-SD45.0-2D-15	45.0	40	58	95	70	201	SP*T15M510-**-	XO*T15M508-**-	SC04511	T20S
SO-C40-SD45.5-2D-15	45.5	40	58	95	70	201	SP*T15M510-**-	XO*T15M508-**-	SC04511	T20S
SO-C40-SD46.0-2D-15	46.0	40	58	97	70	203	SP*T15M510-**-	XO*T15M508-**-	SC04511	T20S
SO-C40-SD46.5-2D-15	46.5	40	58	97	70	203	SP*T15M510-**-	XO*T15M508-**-	SC04511	T20S
SO-C40-SD47.0-2D-15	47.0	40	58	99	70	206	SP*T15M510-**-	XO*T15M508-**-	SC04511	T20S
SO-C40-SD47.5-2D-15	47.5	40	58	99	70	206	SP*T15M510-**-	XO*T15M508-**-	SC04511	T20S
SO-C40-SD48.0-2D-15	48.0	40	58	101	70	208	SP*T15M510-**-	XO*T15M508-**-	SC04511	T20S
SO-C40-SD48.5-2D-15	48.5	40	58	101	70	208	SP*T15M510-**-	XO*T15M508-**-	SC04511	T20S
SO-C40-SD49.0-2D-15	49.0	40	58	103	70	210	SP*T15M510-**-	XO*T15M508-**-	SC04511	T20S
SO-C40-SD49.5-2D-15	49.5	40	58	103	70	210	SP*T15M510-**-	XO*T15M508-**-	SC04511	T20S
SO-C40-SD50.0-2D-15	50.0	40	58	105	70	212	SP*T15M510-**-	XO*T15M508-**-	SC04511	T20S
SO-C40-SD50.5-2D-15	50.5	40	58	105	70	212	SP*T15M510-**-	XO*T15M508-**-	SC04511	T20S
SO-C40-SD51.0-2D-18	51.0	40	68	108	70	218	SP*T180510-**-	XO*T180508-**-	SC0511	T20-100
SO-C40-SD51.5-2D-18	51.5	40	68	108	70	218	SP*T180510-**-	XO*T180508-**-	SC0511	T20-100
SO-C40-SD52.0-2D-18	52.0	40	68	110	70	220	SP*T180510-**-	XO*T180508-**-	SC0511	T20-100
SO-C40-SD52.5-2D-18	52.5	40	68	110	70	220	SP*T180510-**-	XO*T180508-**-	SC0511	T20-100
SO-C40-SD53.0-2D-18	53.0	40	68	112	70	222	SP*T180510-**-	XO*T180508-**-	SC0511	T20-100
SO-C40-SD53.5-2D-18	53.5	40	68	112	70	222	SP*T180510-**-	XO*T180508-**-	SC0511	T20-100
SO-C40-SD54.0-2D-18	54.0	40	68	114	70	224	SP*T180510-**-	XO*T180508-**-	SC0511	T20-100
SO-C40-SD54.5-2D-18	54.5	40	68	114	70	224	SP*T180510-**-	XO*T180508-**-	SC0511	T20-100

Quick drill-2D



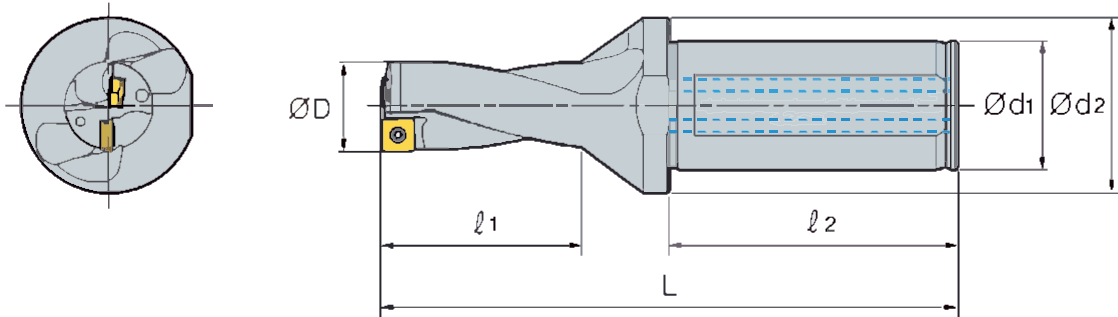
Designation	ØD	Ød1	Ød2	l1	l2	L	Insert		Screw	Wrench
SO-C40-SD55.0-2D-18	55.0	40	68	116	70	226	SP*T180510-**	XO*T180508-**	SC0511	T20-100
SO-C40-SD55.5-2D-18	55.5	40	68	116	70	226	SP*T180510-**	XO*T180508-**	SC0511	T20-100
SO-C40-SD56.0-2D-18	56.0	40	68	118	70	230	SP*T180510-**	XO*T180508-**	SC0511	T20-100
SO-C40-SD56.5-2D-18	56.5	40	68	118	70	230	SP*T180510-**	XO*T180508-**	SC0511	T20-100
SO-C40-SD57.0-2D-18	57.0	40	68	121	70	233	SP*T180510-**	XO*T180508-**	SC0511	T20-100
SO-C40-SD57.5-2D-18	57.5	40	68	121	70	233	SP*T180510-**	XO*T180508-**	SC0511	T20-100
SO-C40-SD58.0-2D-18	58.0	40	68	124	70	236	SP*T180510-**	XO*T180508-**	SC0511	T20-100
SO-C40-SD58.5-2D-18	58.5	40	68	124	70	236	SP*T180510-**	XO*T180508-**	SC0511	T20-100
SO-C40-SD59.0-2D-18	59.0	40	68	127	70	239	SP*T180510-**	XO*T180508-**	SC0511	T20-100
SO-C40-SD59.5-2D-18	59.5	40	68	127	70	239	SP*T180510-**	XO*T180508-**	SC0511	T20-100
SO-C40-SD60.0-2D-18	60.0	40	68	130	70	242	SP*T180510-**	XO*T180508-**	SC0511	T20-100
SO-C40-SD60.5-2D-18	60.5	40	68	130	70	242	SP*T180510-**	XO*T180508-**	SC0511	T20-100

Quick drill-3D



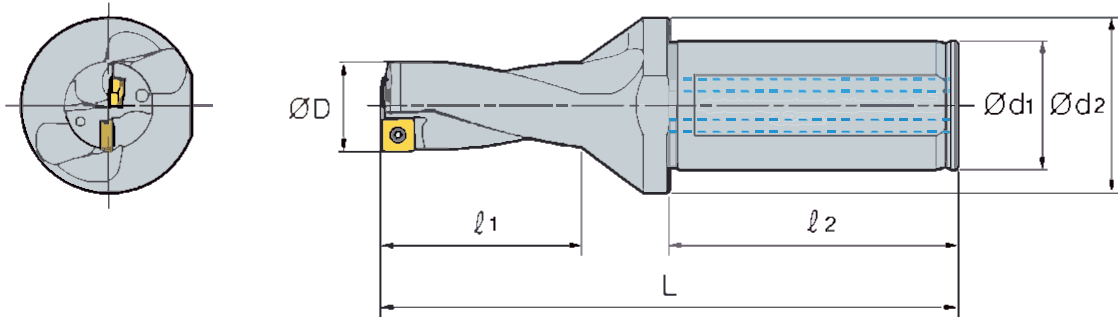
Designation	ØD	Ød1	Ød2	l1	l2	L	Insert		Screw	Wrench
SO-C20-SD12.0-3D-04	12.0	20	25	39	50	103	SP*T040204-**	XO*T040204-**	SC0204	T06P
SO-C20-SD12.5-3D-04	12.5	20	25	39	50	103	SP*T040204-**	XO*T040204-**	SC0204	T06P
SO-C20-SD13.0-3D-04	13.0	20	25	42	50	106	SP*T040204-**	XO*T040204-**	SC0204	T06P
SO-C20-SD13.5-3D-04	13.5	20	25	42	50	106	SP*T040204-**	XO*T040204-**	SC0204	T06P
SO-C20-SD14.0-3D-05	14.0	20	25	45	50	110	SP*T050204-**	XO*T050204-**	SC0204	T06P
SO-C20-SD14.5-3D-05	14.5	20	25	45	50	110	SP*T050204-**	XO*T050204-**	SC0204	T06P
SO-C20-SD15.0-3D-05	15.0	20	25	48	50	114	SP*T050204-**	XO*T050204-**	SC0204	T06P
SO-C20-SD15.5-3D-05	15.5	20	25	48	50	114	SP*T050204-**	XO*T050204-**	SC0204	T06P
SO-C20-SD16.0-3D-05	16.0	20	25	51	50	117	SP*T050204-**	XO*T050204-**	SC0204	T06P
SO-C25-SD16.5-3D-06	16.5	25	34	51	56	123	SP*T060205-**	XO*T060204-**	SC02206S	T07P
SO-C25-SD17.0-3D-06	17.0	25	34	54	56	126	SP*T060205-**	XO*T060204-**	SC02206S	T07P
SO-C25-SD17.5-3D-06	17.5	25	34	54	56	126	SP*T060205-**	XO*T060204-**	SC02206S	T07P
SO-C25-SD18.0-3D-06	18.0	25	34	57	56	130	SP*T060205-**	XO*T060204-**	SC02206S	T07P
SO-C25-SD18.5-3D-06	18.5	25	34	57	56	130	SP*T060205-**	XO*T060204-**	SC02206S	T07P
SO-C25-SD19.0-3D-06	19.0	25	34	60	56	133	SP*T060205-**	XO*T060204-**	SC02206S	T07P
SO-C25-SD19.5-3D-06	19.5	25	34	60	56	133	SP*T060205-**	XO*T060204-**	SC02206S	T07P
SO-C25-SD20.0-3D-07	20.0	25	34	63	56	138	SP*T07T208-**	XO*T07T205-**	SC02565	T07S
SO-C25-SD20.5-3D-07	20.5	25	34	63	56	138	SP*T07T208-**	XO*T07T205-**	SC02565	T07S
SO-C25-SD21.0-3D-07	21.0	25	34	66	56	141	SP*T07T208-**	XO*T07T205-**	SC02565	T07S
SO-C25-SD21.5-3D-07	21.5	25	34	66	56	141	SP*T07T208-**	XO*T07T205-**	SC02565	T07S
SO-C25-SD22.0-3D-07	22.0	25	34	69	56	144	SP*T07T208-**	XO*T07T205-**	SC02565	T07S
SO-C25-SD22.5-3D-07	22.5	25	34	69	56	144	SP*T07T208-**	XO*T07T205-**	SC02565	T07S
SO-C25-SD23.0-3D-07	23.0	25	34	72	56	149	SP*T07T208-**	XO*T07T205-**	SC02565	T07S
SO-C25-SD23.5-3D-07	23.5	25	34	72	56	149	SP*T07T208-**	XO*T07T205-**	SC02565	T07S

Quick drill-3D



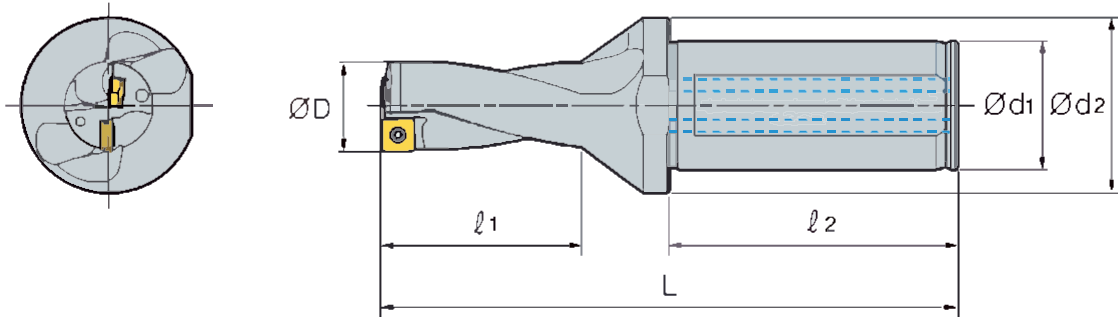
Designation	ØD	Ød1	Ød2	l1	l2	L	Insert		Screw	Wrench
SO-C32-SD24.0-3D-09	24.0	32	44	75	60	157	SP*T090308-**	XO*T090305-**	SC0307	T09S
SO-C32-SD24.5-3D-09	24.5	32	44	75	60	157	SP*T090308-**	XO*T090305-**	SC0307	T09S
SO-C32-SD25.0-3D-09	25.0	32	44	78	60	160	SP*T090308-**	XO*T090305-**	SC0307	T09S
SO-C32-SD25.5-3D-09	25.5	32	44	78	60	160	SP*T090308-**	XO*T090305-**	SC0307	T09S
SO-C32-SD26.0-3D-09	26.0	32	44	81	60	163	SP*T090308-**	XO*T090305-**	SC0307	T09S
SO-C32-SD26.5-3D-09	26.5	32	44	81	60	163	SP*T090308-**	XO*T090305-**	SC0307	T09S
SO-C32-SD27.0-3D-09	27.0	32	44	84	60	167	SP*T090308-**	XO*T090305-**	SC0307	T09S
SO-C32-SD27.5-3D-09	27.5	32	44	84	60	167	SP*T090308-**	XO*T090305-**	SC0307	T09S
SO-C32-SD28.0-3D-09	28.0	32	44	87	60	171	SP*T090308-**	XO*T090305-**	SC0307	T09S
SO-C32-SD28.5-3D-09	28.5	32	44	87	60	171	SP*T090308-**	XO*T090305-**	SC0307	T09S
SO-C32-SD29.0-3D-09	29.0	32	44	90	60	174	SP*T090308-**	XO*T090305-**	SC0307	T09S
SO-C32-SD29.5-3D-09	29.5	32	44	90	60	174	SP*T090308-**	XO*T090305-**	SC0307	T09S
S0-C32-SD30.0-3D-11	30.0	32	44	93	60	180	SP*T11T308-**	XO*T11T306-**	SC03508	T15S
S0-C32-SD30.5-3D-11	30.5	32	44	93	60	180	SP*T11T308-**	XO*T11T306-**	SC03508	T15S
S0-C32-SD31.0-3D-11	31.0	32	44	96	60	183	SP*T11T308-**	XO*T11T306-**	SC03508	T15S
S0-C32-SD31.5-3D-11	31.5	32	44	96	60	183	SP*T11T308-**	XO*T11T306-**	SC03508	T15S
S0-C32-SD32.0-3D-11	32.0	32	44	99	60	186	SP*T11T308-**	XO*T11T306-**	SC03508	T15S
S0-C32-SD32.5-3D-11	32.5	32	44	99	60	186	SP*T11T308-**	XO*T11T306-**	SC03508	T15S
S0-C32-SD33.0-3D-11	33.0	32	44	102	60	190	SP*T11T308-**	XO*T11T306-**	SC03508	T15S
S0-C32-SD33.5-3D-11	33.5	32	44	102	60	190	SP*T11T308-**	XO*T11T306-**	SC03508	T15S
S0-C32-SD34.0-3D-11	34.0	32	44	105	60	193	SP*T11T308-**	XO*T11T306-**	SC03508	T15S
S0-C32-SD34.5-3D-11	34.5	32	44	105	60	193	SP*T11T308-**	XO*T11T306-**	SC03508	T15S
S0-C32-SD35.0-3D-11	35.0	32	44	108	60	196	SP*T11T308-**	XO*T11T306-**	SC03508	T15S
S0-C32-SD35.5-3D-11	35.5	32	44	108	60	196	SP*T11T308-**	XO*T11T306-**	SC03508	T15S

Quick drill-3D



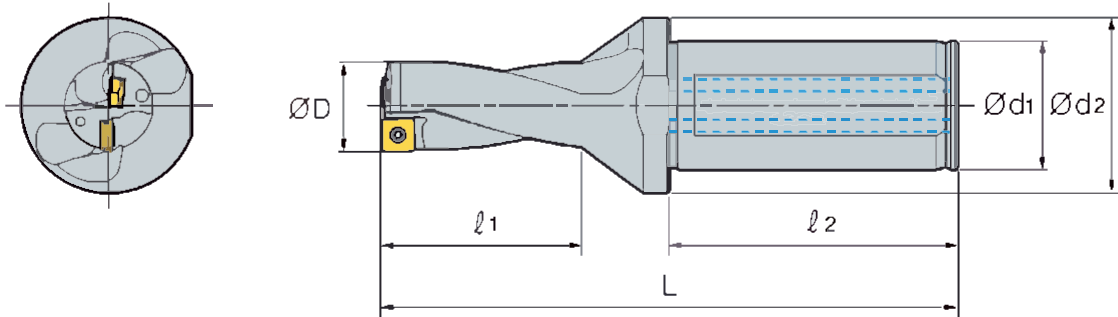
Designation	ØD	Ød1	Ød2	l1	l2	L	Insert		Screw	Wrench
S0-C40-SD36.0-3D-13	36.0	40	48	112	70	212	SP*T130410-**	XO*T130406-**	SC0410	T15S
S0-C40-SD36.5-3D-13	36.5	40	48	112	70	212	SP*T130410-**	XO*T130406-**	SC0410	T15S
S0-C40-SD37.0-3D-13	37.0	40	48	115	70	215	SP*T130410-**	XO*T130406-**	SC0410	T15S
S0-C40-SD37.5-3D-13	37.5	40	48	115	70	215	SP*T130410-**	XO*T130406-**	SC0410	T15S
S0-C40-SD38.0-3D-13	38.0	40	48	118	70	219	SP*T130410-**	XO*T130406-**	SC0410	T15S
S0-C40-SD38.5-3D-13	38.5	40	48	118	70	219	SP*T130410-**	XO*T130406-**	SC0410	T15S
S0-C40-SD39.0-3D-13	39.0	40	48	121	70	222	SP*T130410-**	XO*T130406-**	SC0410	T15S
S0-C40-SD39.5-3D-13	39.5	40	48	121	70	222	SP*T130410-**	XO*T130406-**	SC0410	T15S
S0-C40-SD40.0-3D-13	40.0	40	48	124	70	226	SP*T130410-**	XO*T130406-**	SC0410	T15S
S0-C40-SD40.5-3D-13	40.5	40	48	124	70	226	SP*T130410-**	XO*T130406-**	SC0410	T15S
S0-C40-SD41.0-3D-13	41.0	40	48	127	70	229	SP*T130410-**	XO*T130406-**	SC0410	T15S
S0-C40-SD41.5-3D-13	41.5	40	48	127	70	229	SP*T130410-**	XO*T130406-**	SC0410	T15S
S0-C40-SD42.0-3D-13	42.0	40	48	130	70	233	SP*T130410-**	XO*T130406-**	SC0410	T15S
S0-C40-SD42.5-3D-13	42.5	40	48	130	70	233	SP*T130410-**	XO*T130406-**	SC0410	T15S
S0-C40-SD43.0-3D-15	43.0	40	58	134	70	239	SP*T15M510-**	XO*T15M508-**	SC04511	T20S
S0-C40-SD43.5-3D-15	43.5	40	58	134	70	239	SP*T15M510-**	XO*T15M508-**	SC04511	T20S
S0-C40-SD44.0-3D-15	44.0	40	58	137	70	242	SP*T15M510-**	XO*T15M508-**	SC04511	T20S
S0-C40-SD44.5-3D-15	44.5	40	58	137	70	242	SP*T15M510-**	XO*T15M508-**	SC04511	T20S
S0-C40-SD45.0-3D-15	45.0	40	58	140	70	246	SP*T15M510-**	XO*T15M508-**	SC04511	T20S
S0-C40-SD45.5-3D-15	45.5	40	58	140	70	246	SP*T15M510-**	XO*T15M508-**	SC04511	T20S
S0-C40-SD46.0-3D-15	46.0	40	58	143	70	249	SP*T15M510-**	XO*T15M508-**	SC04511	T20S
S0-C40-SD46.5-3D-15	46.5	40	58	143	70	249	SP*T15M510-**	XO*T15M508-**	SC04511	T20S
S0-C40-SD47.0-3D-15	47.0	40	58	146	70	253	SP*T15M510-**	XO*T15M508-**	SC04511	T20S
S0-C40-SD47.5-3D-15	47.5	40	58	146	70	253	SP*T15M510-**	XO*T15M508-**	SC04511	T20S

Quick drill-3D



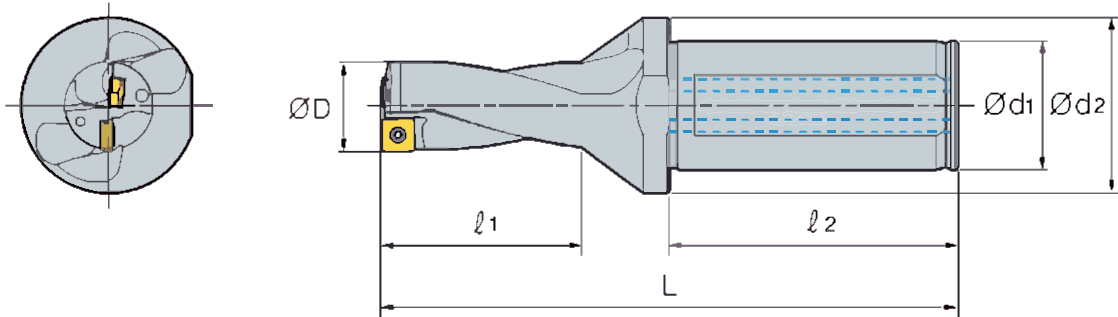
Designation	ØD	Ød1	Ød2	l1	l2	L	Insert		Screw	Wrench
SO-C40-SD48.0-3D-15	48.0	40	58	149	70	256	SP*T15M510-**	XO*T15M508-**	SC04511	T20S
SO-C40-SD48.5-3D-15	48.5	40	58	149	70	256	SP*T15M510-**	XO*T15M508-**	SC04511	T20S
SO-C40-SD49.0-3D-15	49.0	40	58	152	70	259	SP*T15M510-**	XO*T15M508-**	SC04511	T20S
SO-C40-SD49.5-3D-15	49.5	40	58	152	70	259	SP*T15M510-**	XO*T15M508-**	SC04511	T20S
SO-C40-SD50.0-3D-15	50.0	40	58	155	70	262	SP*T15M510-**	XO*T15M508-**	SC04511	T20S
SO-C40-SD50.5-3D-15	50.5	40	58	155	70	262	SP*T15M510-**	XO*T15M508-**	SC04511	T20S
SO-C40-SD51.0-3D-18	51.0	40	68	159	70	269	SP*T180510-**	XO*T180508-**	SC0511	T20-100
SO-C40-SD51.5-3D-18	51.5	40	68	159	70	269	SP*T180510-**	XO*T180508-**	SC0511	T20-100
SO-C40-SD52.0-3D-18	52.0	40	68	162	70	272	SP*T180510-**	XO*T180508-**	SC0511	T20-100
SO-C40-SD52.5-3D-18	52.5	40	68	162	70	272	SP*T180510-**	XO*T180508-**	SC0511	T20-100
SO-C40-SD53.0-3D-18	53.0	40	68	165	70	275	SP*T180510-**	XO*T180508-**	SC0511	T20-100
SO-C40-SD53.5-3D-18	53.5	40	68	165	70	275	SP*T180510-**	XO*T180508-**	SC0511	T20-100
SO-C40-SD54.0-3D-18	54.0	40	68	168	70	278	SP*T180510-**	XO*T180508-**	SC0511	T20-100
SO-C40-SD54.5-3D-18	54.5	40	68	168	70	278	SP*T180510-**	XO*T180508-**	SC0511	T20-100
SO-C40-SD55.0-3D-18	55.0	40	68	171	70	281	SP*T180510-**	XO*T180508-**	SC0511	T20-100
SO-C40-SD55.5-3D-18	55.5	40	68	171	70	281	SP*T180510-**	XO*T180508-**	SC0511	T20-100
SO-C40-SD56.0-3D-18	56.0	40	68	174	70	286	SP*T180510-**	XO*T180508-**	SC0511	T20-100
SO-C40-SD56.5-3D-18	56.5	40	68	174	70	286	SP*T180510-**	XO*T180508-**	SC0511	T20-100
SO-C40-SD57.0-3D-18	57.0	40	68	178	70	290	SP*T180510-**	XO*T180508-**	SC0511	T20-100
SO-C40-SD57.5-3D-18	57.5	40	68	178	70	290	SP*T180510-**	XO*T180508-**	SC0511	T20-100
SO-C40-SD58.0-3D-18	58.0	40	68	182	70	294	SP*T180510-**	XO*T180508-**	SC0511	T20-100
SO-C40-SD58.5-3D-18	58.5	40	68	182	70	294	SP*T180510-**	XO*T180508-**	SC0511	T20-100
SO-C40-SD59.0-3D-18	59.0	40	68	186	70	298	SP*T180510-**	XO*T180508-**	SC0511	T20-100
SO-C40-SD59.5-3D-18	59.5	40	68	186	70	298	SP*T180510-**	XO*T180508-**	SC0511	T20-100
SO-C40-SD60.0-3D-18	60.0	40	68	190	70	302	SP*T180510-**	XO*T180508-**	SC0511	T20-100
SO-C40-SD60.5-3D-18	60.5	40	68	190	70	302	SP*T180510-**	XO*T180508-**	SC0511	T20-100

Quick drill-4D



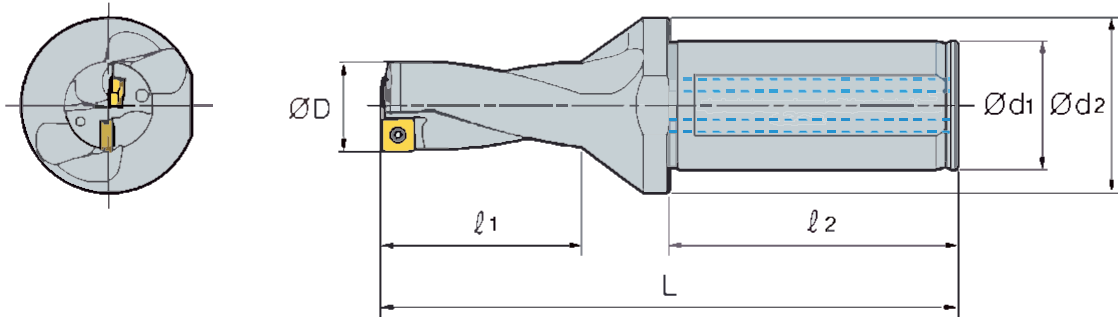
Designation	ØD	Ød1	Ød2	l1	l2	L	Insert		Screw	Wrench
SO-C20-SD12.0-4D-04	12.0	20	25	51	50	115	SP*T040204-**	XO*T040204-**	SC0204	T06P
SO-C20-SD12.5-4D-04	12.5	20	25	51	50	115	SP*T040204-**	XO*T040204-**	SC0204	T06P
SO-C20-SD13.0-4D-04	13.0	20	25	55	50	119	SP*T040204-**	XO*T040204-**	SC0204	T06P
SO-C20-SD13.5-4D-04	13.5	20	25	55	50	119	SP*T040204-**	XO*T040204-**	SC0204	T06P
SO-C20-SD14.0-4D-05	14.0	20	25	59	50	124	SP*T050204-**	XO*T050204-**	SC0204	T06P
SO-C20-SD14.5-4D-05	14.5	20	25	59	50	124	SP*T050204-**	XO*T050204-**	SC0204	T06P
SO-C20-SD15.0-4D-05	15.0	20	25	63	50	129	SP*T050204-**	XO*T050204-**	SC0204	T06P
SO-C20-SD15.5-4D-05	15.5	20	25	63	50	129	SP*T050204-**	XO*T050204-**	SC0204	T06P
SO-C20-SD16.0-4D-05	16.0	20	25	67	50	133	SP*T050204-**	XO*T050204-**	SC0204	T06P
SO-C25-SD16.5-4D-06	16.5	25	34	67	56	139	SP*T060205-**	XO*T060204-**	SC02206S	T07P
SO-C25-SD17.0-4D-06	17.0	25	34	71	56	143	SP*T060205-**	XO*T060204-**	SC02206S	T07P
SO-C25-SD17.5-4D-06	17.5	25	34	71	56	143	SP*T060205-**	XO*T060204-**	SC02206S	T07P
SO-C25-SD18.0-4D-06	18.0	25	34	75	56	148	SP*T060205-**	XO*T060204-**	SC02206S	T07P
SO-C25-SD18.5-4D-06	18.5	25	34	75	56	148	SP*T060205-**	XO*T060204-**	SC02206S	T07P
SO-C25-SD19.0-4D-06	19.0	25	34	79	56	152	SP*T060205-**	XO*T060204-**	SC02206S	T07P
SO-C25-SD19.5-4D-06	19.5	25	34	79	56	152	SP*T060205-**	XO*T060204-**	SC02206S	T07P
SO-C25-SD20.0-4D-07	20.0	25	34	83	56	158	SP*T07T208-**	XO*T07T205-**	SC02565	T07S
SO-C25-SD20.5-4D-07	20.5	25	34	83	56	158	SP*T07T208-**	XO*T07T205-**	SC02565	T07S
SO-C25-SD21.0-4D-07	21.0	25	34	87	56	162	SP*T07T208-**	XO*T07T205-**	SC02565	T07S
SO-C25-SD21.5-4D-07	21.5	25	34	87	56	162	SP*T07T208-**	XO*T07T205-**	SC02565	T07S
SO-C25-SD22.0-4D-07	22.0	25	34	91	56	166	SP*T07T208-**	XO*T07T205-**	SC02565	T07S
SO-C25-SD22.5-4D-07	22.5	25	34	91	56	166	SP*T07T208-**	XO*T07T205-**	SC02565	T07S
SO-C25-SD23.0-4D-07	23.0	25	34	95	56	172	SP*T07T208-**	XO*T07T205-**	SC02565	T07S
SO-C25-SD23.5-4D-07	23.5	25	34	95	56	172	SP*T07T208-**	XO*T07T205-**	SC02565	T07S

Quick drill-4D



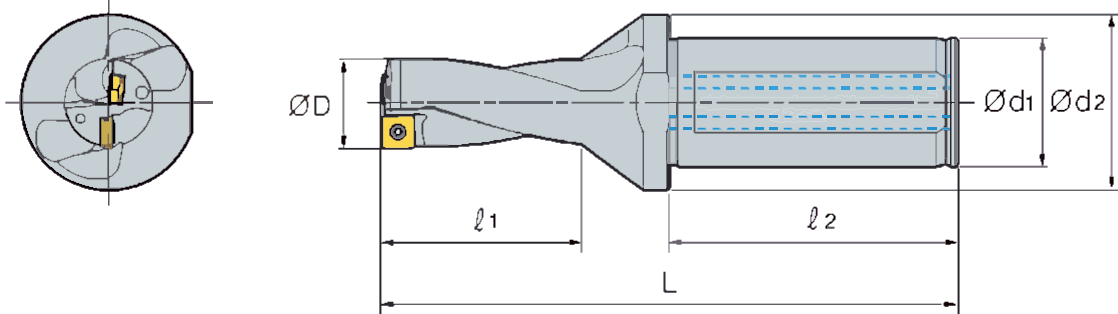
Designation	ØD	Ød1	Ød2	l1	l2	L	Insert		Screw	Wrench
SO-C32-SD24.0-4D-09	24.0	32	44	99	60	181	SP*T090308-**	XO*T090305-**	SC0307	T09S
SO-C32-SD24.5-4D-09	24.5	32	44	99	60	181	SP*T090308-**	XO*T090305-**	SC0307	T09S
SO-C32-SD25.0-4D-09	25.0	32	44	103	60	185	SP*T090308-**	XO*T090305-**	SC0307	T09S
SO-C32-SD25.5-4D-09	25.5	32	44	103	60	185	SP*T090308-**	XO*T090305-**	SC0307	T09S
SO-C32-SD26.0-4D-09	26.0	32	44	107	60	189	SP*T090308-**	XO*T090305-**	SC0307	T09S
SO-C32-SD26.5-4D-09	26.5	32	44	107	60	189	SP*T090308-**	XO*T090305-**	SC0307	T09S
SO-C32-SD27.0-4D-09	27.0	32	44	111	60	194	SP*T090308-**	XO*T090305-**	SC0307	T09S
SO-C32-SD27.5-4D-09	27.5	32	44	111	60	194	SP*T090308-**	XO*T090305-**	SC0307	T09S
SO-C32-SD28.0-4D-09	28.0	32	44	115	60	199	SP*T090308-**	XO*T090305-**	SC0307	T09S
SO-C32-SD28.5-4D-09	28.5	32	44	115	60	199	SP*T090308-**	XO*T090305-**	SC0307	T09S
SO-C32-SD29.0-4D-09	29.0	32	44	119	60	203	SP*T090308-**	XO*T090305-**	SC0307	T09S
SO-C32-SD29.5-4D-09	29.5	32	44	119	60	203	SP*T090308-**	XO*T090305-**	SC0307	T09S
SO-C32-SD30.0-4D-11	30.0	32	44	123	60	210	SP*T11T308-**	XO*T11T306-**	SC03508	T15S
SO-C32-SD30.5-4D-11	30.5	32	44	123	60	210	SP*T11T308-**	XO*T11T306-**	SC03508	T15S
SO-C32-SD31.0-4D-11	31.0	32	44	127	60	214	SP*T11T308-**	XO*T11T306-**	SC03508	T15S
SO-C32-SD31.5-4D-11	31.5	32	44	127	60	214	SP*T11T308-**	XO*T11T306-**	SC03508	T15S
SO-C32-SD32.0-4D-11	32.0	32	44	131	60	218	SP*T11T308-**	XO*T11T306-**	SC03508	T15S
SO-C32-SD32.5-4D-11	32.5	32	44	131	60	218	SP*T11T308-**	XO*T11T306-**	SC03508	T15S
SO-C32-SD33.0-4D-11	33.0	32	44	135	60	223	SP*T11T308-**	XO*T11T306-**	SC03508	T15S
SO-C32-SD33.5-4D-11	33.5	32	44	135	60	223	SP*T11T308-**	XO*T11T306-**	SC03508	T15S
SO-C32-SD34.0-4D-11	34.0	32	44	139	60	227	SP*T11T308-**	XO*T11T306-**	SC03508	T15S
SO-C32-SD34.5-4D-11	34.5	32	44	139	60	227	SP*T11T308-**	XO*T11T306-**	SC03508	T15S
SO-C32-SD35.0-4D-11	35.0	32	44	143	60	231	SP*T11T308-**	XO*T11T306-**	SC03508	T15S
SO-C32-SD35.5-4D-11	35.5	32	44	143	60	231	SP*T11T308-**	XO*T11T306-**	SC03508	T15S

Quick drill-4D



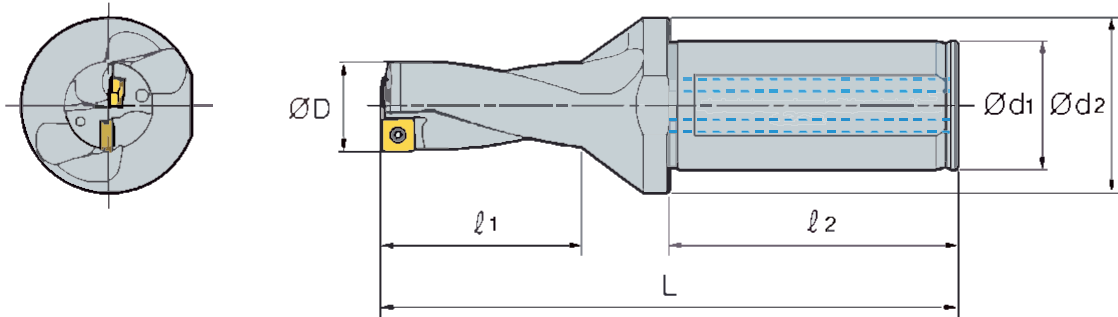
Designation	ØD	Ød1	Ød2	l1	l2	L	Insert		Screw	Wrench
SO-C40-SD36.0-4D-13	36.0	40	48	148	70	248	SP*T130410-**-	XO*T130406-**-	SC0410	T15S
SO-C40-SD36.5-4D-13	36.5	40	48	148	70	248	SP*T130410-**-	XO*T130406-**-	SC0410	T15S
SO-C40-SD37.0-4D-13	37.0	40	48	152	70	252	SP*T130410-**-	XO*T130406-**-	SC0410	T15S
SO-C40-SD37.5-4D-13	37.5	40	48	152	70	252	SP*T130410-**-	XO*T130406-**-	SC0410	T15S
SO-C40-SD38.0-4D-13	38.0	40	48	156	70	257	SP*T130410-**-	XO*T130406-**-	SC0410	T15S
SO-C40-SD38.5-4D-13	38.5	40	48	156	70	257	SP*T130410-**-	XO*T130406-**-	SC0410	T15S
SO-C40-SD39.0-4D-13	39.0	40	48	160	70	261	SP*T130410-**-	XO*T130406-**-	SC0410	T15S
SO-C40-SD39.5-4D-13	39.5	40	48	160	70	261	SP*T130410-**-	XO*T130406-**-	SC0410	T15S
SO-C40-SD40.0-4D-13	40.0	40	48	164	70	266	SP*T130410-**-	XO*T130406-**-	SC0410	T15S
SO-C40-SD40.5-4D-13	40.5	40	48	164	70	266	SP*T130410-**-	XO*T130406-**-	SC0410	T15S
SO-C40-SD41.0-4D-13	41.0	40	48	168	70	270	SP*T130410-**-	XO*T130406-**-	SC0410	T15S
SO-C40-SD41.5-4D-13	41.5	40	48	168	70	270	SP*T130410-**-	XO*T130406-**-	SC0410	T15S
SO-C40-SD42.0-4D-13	42.0	40	48	172	70	275	SP*T130410-**-	XO*T130406-**-	SC0410	T15S
SO-C40-SD42.5-4D-13	42.5	40	48	172	70	275	SP*T130410-**-	XO*T130406-**-	SC0410	T15S
SO-C40-SD43.0-4D-15	43.0	40	58	177	70	282	SP*T15M510-**-	XO*T15M508-**-	SC04511	T20S
SO-C40-SD43.5-4D-15	43.5	40	58	177	70	282	SP*T15M510-**-	XO*T15M508-**-	SC04511	T20S
SO-C40-SD44.0-4D-15	44.0	40	58	181	70	286	SP*T15M510-**-	XO*T15M508-**-	SC04511	T20S
SO-C40-SD44.5-4D-15	44.5	40	58	181	70	286	SP*T15M510-**-	XO*T15M508-**-	SC04511	T20S
SO-C40-SD45.0-4D-15	45.0	40	58	185	70	291	SP*T15M510-**-	XO*T15M508-**-	SC04511	T20S
SO-C40-SD45.5-4D-15	45.5	40	58	185	70	291	SP*T15M510-**-	XO*T15M508-**-	SC04511	T20S
SO-C40-SD46.0-4D-15	46.0	40	58	189	70	295	SP*T15M510-**-	XO*T15M508-**-	SC04511	T20S
SO-C40-SD46.5-4D-15	46.5	40	58	189	70	295	SP*T15M510-**-	XO*T15M508-**-	SC04511	T20S
SO-C40-SD47.0-4D-15	47.0	40	58	193	70	300	SP*T15M510-**-	XO*T15M508-**-	SC04511	T20S
SO-C40-SD47.5-4D-15	47.5	40	58	193	70	300	SP*T15M510-**-	XO*T15M508-**-	SC04511	T20S

Quick drill-4D



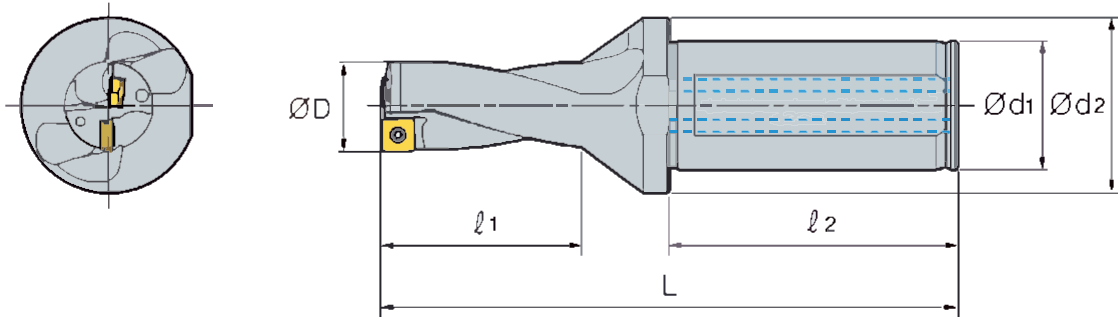
Designation	ØD	Ød1	Ød2	l1	l2	L	Insert		Screw	Wrench
SO-C40-SD48.0-4D-15	48.0	40	58	197	70	304	SP*T15M510-**-	XO*T15M508-**-	SC04511	T20S
SO-C40-SD48.5-4D-15	48.5	40	58	197	70	304	SP*T15M510-**-	XO*T15M508-**-	SC04511	T20S
SO-C40-SD49.0-4D-15	49.0	40	58	201	70	308	SP*T15M510-**-	XO*T15M508-**-	SC04511	T20S
SO-C40-SD49.5-4D-15	49.5	40	58	201	70	308	SP*T15M510-**-	XO*T15M508-**-	SC04511	T20S
SO-C40-SD50.0-4D-15	50.0	40	58	205	70	312	SP*T15M510-**-	XO*T15M508-**-	SC04511	T20S
SO-C40-SD50.5-4D-15	50.5	40	58	205	70	312	SP*T15M510-**-	XO*T15M508-**-	SC04511	T20S
SO-C40-SD51.0-4D-18	51.0	40	68	210	70	320	SP*T180510-**-	XO*T180508-**-	SC0511	T20-100
SO-C40-SD51.5-4D-18	51.5	40	68	210	70	320	SP*T180510-**-	XO*T180508-**-	SC0511	T20-100
SO-C40-SD52.0-4D-18	52.0	40	68	214	70	324	SP*T180510-**-	XO*T180508-**-	SC0511	T20-100
SO-C40-SD52.5-4D-18	52.5	40	68	214	70	324	SP*T180510-**-	XO*T180508-**-	SC0511	T20-100
SO-C40-SD53.0-4D-18	53.0	40	68	218	70	328	SP*T180510-**-	XO*T180508-**-	SC0511	T20-100
SO-C40-SD53.5-4D-18	53.5	40	68	218	70	328	SP*T180510-**-	XO*T180508-**-	SC0511	T20-100
SO-C40-SD54.0-4D-18	54.0	40	68	222	70	332	SP*T180510-**-	XO*T180508-**-	SC0511	T20-100
SO-C40-SD54.5-4D-18	54.5	40	68	222	70	332	SP*T180510-**-	XO*T180508-**-	SC0511	T20-100
SO-C40-SD55.0-4D-18	55.0	40	68	226	70	336	SP*T180510-**-	XO*T180508-**-	SC0511	T20-100
SO-C40-SD55.5-4D-18	55.5	40	68	226	70	336	SP*T180510-**-	XO*T180508-**-	SC0511	T20-100
SO-C40-SD56.0-4D-18	56.0	40	68	230	70	342	SP*T180510-**-	XO*T180508-**-	SC0511	T20-100
SO-C40-SD56.5-4D-18	56.5	40	68	230	70	342	SP*T180510-**-	XO*T180508-**-	SC0511	T20-100
SO-C40-SD57.0-4D-18	57.0	40	68	235	70	347	SP*T180510-**-	XO*T180508-**-	SC0511	T20-100
SO-C40-SD57.5-4D-18	57.5	40	68	235	70	347	SP*T180510-**-	XO*T180508-**-	SC0511	T20-100
SO-C40-SD58.0-4D-18	58.0	40	68	240	70	352	SP*T180510-**-	XO*T180508-**-	SC0511	T20-100
SO-C40-SD58.5-4D-18	58.5	40	68	240	70	352	SP*T180510-**-	XO*T180508-**-	SC0511	T20-100
SO-C40-SD59.0-4D-18	59.0	40	68	245	70	357	SP*T180510-**-	XO*T180508-**-	SC0511	T20-100
SO-C40-SD59.5-4D-18	59.5	40	68	245	70	357	SP*T180510-**-	XO*T180508-**-	SC0511	T20-100
SO-C40-SD60.0-4D-18	60.0	40	68	250	70	362	SP*T180510-**-	XO*T180508-**-	SC0511	T20-100
SO-C40-SD60.5-4D-18	60.5	40	68	250	70	362	SP*T180510-**-	XO*T180508-**-	SC0511	T20-100

Quick drill-5D



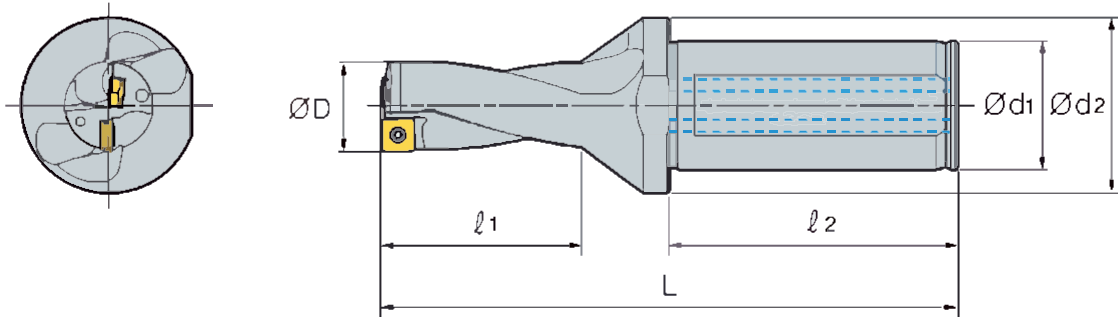
Designation	ØD	Ød1	Ød2	l1	l2	L	Insert		Screw	Wrench
SO-C20-SD12.0-5D-04	12.0	20	25	63	50	127	SP*T040204-**	XO*T040204-**	SC0204	T06P
SO-C20-SD12.5-5D-04	12.5	20	25	63	50	127	SP*T040204-**	XO*T040204-**	SC0204	T06P
SO-C20-SD13.0-5D-04	13.0	20	25	68	50	132	SP*T040204-**	XO*T040204-**	SC0204	T06P
SO-C20-SD13.5-5D-04	13.5	20	25	68	50	138	SP*T040204-**	XO*T040204-**	SC0204	T06P
SO-C20-SD14.0-5D-05	14.0	20	25	73	50	138	SP*T050204-**	XO*T050204-**	SC0204	T06P
SO-C20-SD14.5-5D-05	14.5	20	25	73	50	144	SP*T050204-**	XO*T050204-**	SC0204	T06P
SO-C20-SD15.0-5D-05	15.0	20	25	78	50	144	SP*T050204-**	XO*T050204-**	SC0204	T06P
SO-C20-SD15.5-5D-05	15.5	20	25	78	50	149	SP*T050204-**	XO*T050204-**	SC0204	T06P
SO-C20-SD16.0-5D-05	16.0	20	25	83	50	155	SP*T050204-**	XO*T050204-**	SC0204	T06P
SO-C25-SD16.5-5D-06	16.5	25	34	83	56	160	SP*T060205-**	XO*T060204-**	SC02206S	T07P
SO-C25-SD17.0-5D-06	17.0	25	34	88	56	166	SP*T060205-**	XO*T060204-**	SC02206S	T07P
SO-C25-SD17.5-5D-06	17.5	25	34	88	56	166	SP*T060205-**	XO*T060204-**	SC02206S	T07P
SO-C25-SD18.0-5D-06	18.0	25	34	93	56	171	SP*T060205-**	XO*T060204-**	SC02206S	T07P
SO-C25-SD18.5-5D-06	18.5	25	34	93	56	171	SP*T060205-**	XO*T060204-**	SC02206S	T07P
SO-C25-SD19.0-5D-06	19.0	25	34	98	56	171	SP*T060205-**	XO*T060204-**	SC02206S	T07P
SO-C25-SD19.5-5D-06	19.5	25	34	98	56	178	SP*T060205-**	XO*T060204-**	SC02206S	T07P
SO-C25-SD20.0-5D-07	20.0	25	34	103	56	178	SP*T07T208-**	XO*T07T205-**	SC02565	T07S
SO-C25-SD20.5-5D-07	20.5	25	34	103	56	183	SP*T07T208-**	XO*T07T205-**	SC02565	T07S
SO-C25-SD21.0-5D-07	21.0	25	34	108	56	183	SP*T07T208-**	XO*T07T205-**	SC02565	T07S
SO-C25-SD21.5-5D-07	21.5	25	34	108	56	188	SP*T07T208-**	XO*T07T205-**	SC02565	T07S
SO-C25-SD22.0-5D-07	22.0	25	34	113	56	188	SP*T07T208-**	XO*T07T205-**	SC02565	T07S
SO-C25-SD22.5-5D-07	22.5	25	34	113	56	195	SP*T07T208-**	XO*T07T205-**	SC02565	T07S
SO-C25-SD23.0-5D-07	23.0	25	34	118	56	195	SP*T07T208-**	XO*T07T205-**	SC02565	T07S
SO-C25-SD23.5-5D-07	23.5	25	34	118	56	205	SP*T07T208-**	XO*T07T205-**	SC02565	T07S

Quick drill-5D



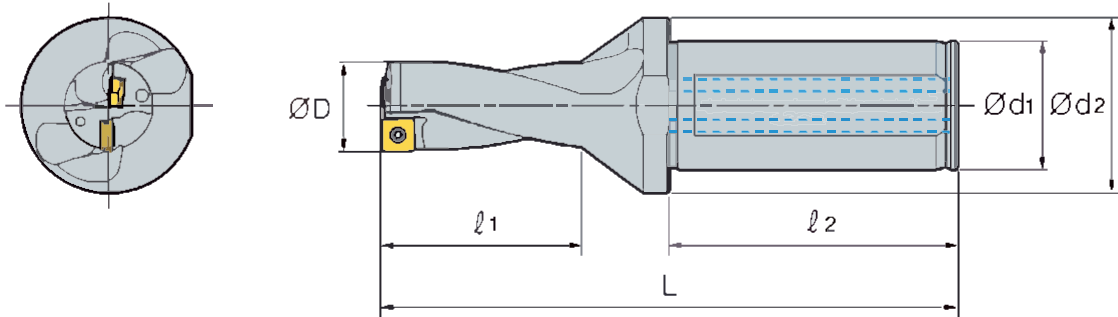
Designation	ØD	Ød1	Ød2	l1	l2	L	Insert		Screw	Wrench
SO-C32-SD24.0-5D-09	24.0	32	44	123	60	205	SP*T090308-**	XO*T090305-**	SC0307	T09S
SO-C32-SD24.5-5D-09	24.5	32	44	123	60	210	SP*T090308-**	XO*T090305-**	SC0307	T09S
SO-C32-SD25.0-5D-09	25.0	32	44	128	60	210	SP*T090308-**	XO*T090305-**	SC0307	T09S
SO-C32-SD25.5-5D-09	25.5	32	44	128	60	215	SP*T090308-**	XO*T090305-**	SC0307	T09S
SO-C32-SD26.0-5D-09	26.0	32	44	133	60	215	SP*T090308-**	XO*T090305-**	SC0307	T09S
SO-C32-SD26.5-5D-09	26.5	32	44	133	60	221	SP*T090308-**	XO*T090305-**	SC0307	T09S
SO-C32-SD27.0-5D-09	27.0	32	44	138	60	221	SP*T090308-**	XO*T090305-**	SC0307	T09S
SO-C32-SD27.5-5D-09	27.5	32	44	138	60	227	SP*T090308-**	XO*T090305-**	SC0307	T09S
SO-C32-SD28.0-5D-09	28.0	32	44	143	60	227	SP*T090308-**	XO*T090305-**	SC0307	T09S
SO-C32-SD28.5-5D-09	28.5	32	44	143	60	232	SP*T090308-**	XO*T090305-**	SC0307	T09S
SO-C32-SD29.0-5D-09	29.0	32	44	148	60	232	SP*T090308-**	XO*T090305-**	SC0307	T09S
SO-C32-SD29.5-5D-09	29.5	32	44	148	60	240	SP*T090308-**	XO*T090305-**	SC0307	T09S
SO-C32-SD30.0-5D-11	30.0	32	44	153	60	240	SP*T11T308-**	XO*T11T306-**	SC03508	T15S
SO-C32-SD30.5-5D-11	30.5	32	44	153	60	245	SP*T11T308-**	XO*T11T306-**	SC03508	T15S
SO-C32-SD31.0-5D-11	31.0	32	44	158	60	245	SP*T11T308-**	XO*T11T306-**	SC03508	T15S
SO-C32-SD31.5-5D-11	31.5	32	44	158	60	250	SP*T11T308-**	XO*T11T306-**	SC03508	T15S
SO-C32-SD32.0-5D-11	32.0	32	44	163	60	250	SP*T11T308-**	XO*T11T306-**	SC03508	T15S
SO-C32-SD32.5-5D-11	32.5	32	44	163	60	256	SP*T11T308-**	XO*T11T306-**	SC03508	T15S
SO-C32-SD33.0-5D-11	33.0	32	44	168	60	256	SP*T11T308-**	XO*T11T306-**	SC03508	T15S
SO-C32-SD33.5-5D-11	33.5	32	44	168	60	261	SP*T11T308-**	XO*T11T306-**	SC03508	T15S
SO-C32-SD34.0-5D-11	34.0	32	44	173	60	261	SP*T11T308-**	XO*T11T306-**	SC03508	T15S
SO-C32-SD34.5-5D-11	34.5	32	44	173	60	266	SP*T11T308-**	XO*T11T306-**	SC03508	T15S
SO-C32-SD35.0-5D-11	35.0	32	44	178	60	266	SP*T11T308-**	XO*T11T306-**	SC03508	T15S
SO-C32-SD35.5-5D-11	35.5	32	44	178	60	266	SP*T11T308-**	XO*T11T306-**	SC03508	T15S

Quick drill-5D



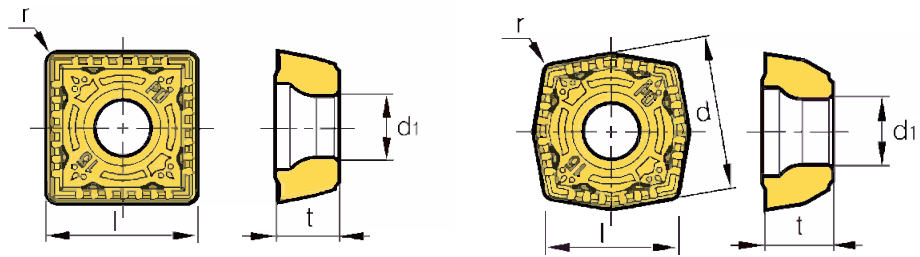
Designation	ØD	Ød1	Ød2	l1	l2	L	Insert		Screw	Wrench
SO-C40-SD36.0-5D-13	36.0	40	48	184	70	284	SP*T130410-**	XO*T130406-**	SC0410	T15S
SO-C40-SD36.5-5D-13	36.5	40	48	184	70	284	SP*T130410-**	XO*T130406-**	SC0410	T15S
SO-C40-SD37.0-5D-13	37.0	40	48	189	70	289	SP*T130410-**	XO*T130406-**	SC0410	T15S
SO-C40-SD37.5-5D-13	37.5	40	48	189	70	289	SP*T130410-**	XO*T130406-**	SC0410	T15S
SO-C40-SD38.0-5D-13	38.0	40	48	194	70	295	SP*T130410-**	XO*T130406-**	SC0410	T15S
SO-C40-SD38.5-5D-13	38.5	40	48	194	70	295	SP*T130410-**	XO*T130406-**	SC0410	T15S
SO-C40-SD39.0-5D-13	39.0	40	48	199	70	300	SP*T130410-**	XO*T130406-**	SC0410	T15S
SO-C40-SD39.5-5D-13	39.5	40	48	199	70	300	SP*T130410-**	XO*T130406-**	SC0410	T15S
SO-C40-SD40.0-5D-13	40.0	40	48	204	70	306	SP*T130410-**	XO*T130406-**	SC0410	T15S
SO-C40-SD40.5-5D-13	40.5	40	48	204	70	306	SP*T130410-**	XO*T130406-**	SC0410	T15S
SO-C40-SD41.0-5D-13	41.0	40	48	209	70	311	SP*T130410-**	XO*T130406-**	SC0410	T15S
SO-C40-SD41.5-5D-13	41.5	40	48	209	70	311	SP*T130410-**	XO*T130406-**	SC0410	T15S
SO-C40-SD42.0-5D-13	42.0	40	48	214	70	317	SP*T130410-**	XO*T130406-**	SC0410	T15S
SO-C40-SD42.5-5D-13	42.5	40	48	214	70	317	SP*T130410-**	XO*T130406-**	SC0410	T15S
SO-C40-SD43.0-5D-15	43.0	40	58	220	70	325	SP*T15M510-**	XO*T15M508-**	SC04511	T20S
SO-C40-SD43.5-5D-15	43.5	40	58	221	70	326	SP*T15M510-**	XO*T15M508-**	SC04511	T20S
SO-C40-SD44.0-5D-15	44.0	40	58	225	70	330	SP*T15M510-**	XO*T15M508-**	SC04511	T20S
SO-C40-SD44.5-5D-15	44.5	40	58	225	70	330	SP*T15M510-**	XO*T15M508-**	SC04511	T20S
SO-C40-SD45.0-5D-15	45.0	40	58	230	70	336	SP*T15M510-**	XO*T15M508-**	SC04511	T20S
SO-C40-SD45.5-5D-15	45.5	40	58	230	70	336	SP*T15M510-**	XO*T15M508-**	SC04511	T20S
SO-C40-SD46.0-5D-15	46.0	40	58	235	70	341	SP*T15M510-**	XO*T15M508-**	SC04511	T20S
SO-C40-SD46.5-5D-15	46.5	40	58	235	70	341	SP*T15M510-**	XO*T15M508-**	SC04511	T20S
SO-C40-SD47.0-5D-15	47.0	40	58	240	70	347	SP*T15M510-**	XO*T15M508-**	SC04511	T20S
SO-C40-SD47.5-5D-15	47.5	40	58	240	70	347	SP*T15M510-**	XO*T15M508-**	SC04511	T20S

Quick drill-5D

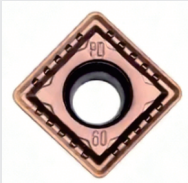

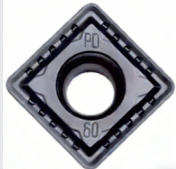



Designation	ØD	Ød1	Ød2	l1	l2	L	Insert		Screw	Wrench
SO-C40-SD48.0-5D-15	48.0	40	58	245	70	352	SP*T15M510-**-	XO*T15M508-**-	SC04511	T20S
SO-C40-SD48.5-5D-15	48.5	40	58	245	70	352	SP*T15M510-**-	XO*T15M508-**-	SC04511	T20S
SO-C40-SD49.0-5D-15	49.0	40	58	250	70	357	SP*T15M510-**-	XO*T15M508-**-	SC04511	T20S
SO-C40-SD49.5-5D-15	49.5	40	58	250	70	357	SP*T15M510-**-	XO*T15M508-**-	SC04511	T20S
SO-C40-SD50.0-5D-15	50.0	40	58	255	70	362	SP*T15M510-**-	XO*T15M508-**-	SC04511	T20S
SO-C40-SD50.5-5D-15	50.5	40	58	255	70	362	SP*T15M510-**-	XO*T15M508-**-	SC04511	T20S
SO-C40-SD51.0-5D-18	51.0	40	68	261	70	371	SP*T180510-**-	XO*T180508-**-	SC0511	T20-100
SO-C40-SD51.5-5D-18	51.5	40	68	261	70	371	SP*T180510-**-	XO*T180508-**-	SC0511	T20-100
SO-C40-SD52.0-5D-18	52.0	40	68	266	70	376	SP*T180510-**-	XO*T180508-**-	SC0511	T20-100
SO-C40-SD52.5-5D-18	52.5	40	68	266	70	376	SP*T180510-**-	XO*T180508-**-	SC0511	T20-100
SO-C40-SD53.0-5D-18	53.0	40	68	271	70	381	SP*T180510-**-	XO*T180508-**-	SC0511	T20-100
SO-C40-SD53.5-5D-18	53.5	40	68	271	70	381	SP*T180510-**-	XO*T180508-**-	SC0511	T20-100
SO-C40-SD54.0-5D-18	54.0	40	68	276	70	386	SP*T180510-**-	XO*T180508-**-	SC0511	T20-100
SO-C40-SD54.5-5D-18	54.5	40	68	276	70	386	SP*T180510-**-	XO*T180508-**-	SC0511	T20-100
SO-C40-SD55.0-5D-18	55.0	40	68	281	70	391	SP*T180510-**-	XO*T180508-**-	SC0511	T20-100
SO-C40-SD55.5-5D-18	55.5	40	68	281	70	391	SP*T180510-**-	XO*T180508-**-	SC0511	T20-100
SO-C40-SD56.0-5D-18	56.0	40	68	286	70	398	SP*T180510-**-	XO*T180508-**-	SC0511	T20-100
SO-C40-SD56.5-5D-18	56.5	40	68	286	70	398	SP*T180510-**-	XO*T180508-**-	SC0511	T20-100
SO-C40-SD57.0-5D-18	57.0	40	68	292	70	404	SP*T180510-**-	XO*T180508-**-	SC0511	T20-100
SO-C40-SD57.5-5D-18	57.5	40	68	292	70	404	SP*T180510-**-	XO*T180508-**-	SC0511	T20-100
SO-C40-SD58.0-5D-18	58.0	40	68	298	70	410	SP*T180510-**-	XO*T180508-**-	SC0511	T20-100
SO-C40-SD58.5-5D-18	58.5	40	68	298	70	410	SP*T180510-**-	XO*T180508-**-	SC0511	T20-100
SO-C40-SD59.0-5D-18	59.0	40	68	304	70	416	SP*T180510-**-	XO*T180508-**-	SC0511	T20-100
SO-C40-SD59.5-5D-18	59.5	40	68	304	70	416	SP*T180510-**-	XO*T180508-**-	SC0511	T20-100
SO-C40-SD60.0-5D-18	60.0	40	68	310	70	422	SP*T180510-**-	XO*T180508-**-	SC0511	T20-100
SO-C40-SD60.5-5D-18	60.5	40	68	310	70	422	SP*T180510-**-	XO*T180508-**-	SC0511	T20-100

Insert



	Designation	l	d	t	r	d1
Peripheral	SPMT040204-PD	4.7	-	2.4	0.4	2.3
	SPMT050204-PD	5.1	-	2.4	0.4	2.3
	SPMT060205-PD	6.2	-	2.5	0.5	2.5
	SPMT07T208-PD	7.5	-	2.8	0.7	2.8
	SPMT090308-PD	9.2	-	3.3	0.8	3.4
	SPMT11T308-PD	11.0	-	4.0	0.8	4.0
	SPMT130410-PD	13.0	-	4.5	1.0	4.5
	SPMT15M510-PD	15.2	-	5.0	1.0	5.5
	SPMT180510-PD	18.2	-	5.5	1.0	6.0
Central	XOMT040204-PD	4.3	4.9	2.4	0.4	2.3
	XOMT050204-PD	4.8	5.4	2.4	0.4	2.3
	XOMT060204-PD	5.8	6.6	2.5	0.4	2.5
	XOMT07T205-PD	6.9	7.8	2.8	0.5	2.8
	XOMT090305-PD	8.4	9.6	3.3	0.5	3.4
	XOMT11T306-PD	10.0	11.4	4.0	0.6	4.0
	XOMT130406-PD	11.9	13.6	4.5	0.6	4.5
	XOMT15M508-PD	13.9	15.9	5.0	0.8	5.5
	XOMT180508-PD	16.5	18.9	5.5	0.8	6.0

Grade	Peripheral	Central	Workpiece
KZ7225			Stainless steel
KZ7125			steel cast iron Stainless steel

Recommended cutting parameters

- The Max. feed of 5D holders is 70%~80% of the max. conditions of 2D/3D/4D holders
- In interrupted machining part, reduce 30~50% of feed from the above machining around interrupted part

Workpiece	Hardness (HB)	Vc (m/min)	2D/3D/4D Feed rate (mm/rev) per drill dia. (mm)				
			Ø12~Ø16	Ø17~Ø23	Ø24~Ø29	Ø30~Ø42	Ø43~Ø60
Low carbon steel	80~180	150 (120~180)	0.04~0.08	0.04~0.08	0.04~0.08	0.04~0.08	0.04~0.08
High carbon steel	180~280	120 (90~150)	0.04~0.10	0.04~0.12	0.05~0.16	0.06~0.16	0.06~0.18
Low alloy steel	140~260	150 (120~170)	0.06~0.12	0.06~0.12	0.06~0.14	0.06~0.16	0.06~0.16
High alloy steel	260~320	100 (50~160)	0.05~0.11	0.05~0.11	0.05~0.13	0.05~0.15	0.05~0.15
Stainless steel	135~275	90 (60~120)	0.04~0.07	0.04~0.07	0.04~0.07	0.04~0.08	0.04~0.08
Gray cast iron	150~230	190 (150~250)	0.04~0.12	0.05~0.14	0.06~0.18	0.10~0.22	0.10~0.26
Ductile cast iron	150~230	130 (100~160)	0.04~0.07	0.04~0.08	0.04~0.10	0.05~0.12	0.05~0.12